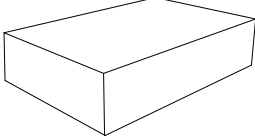



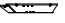



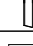

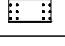


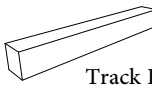




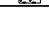

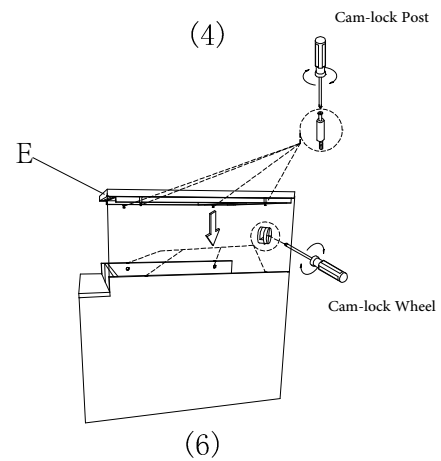
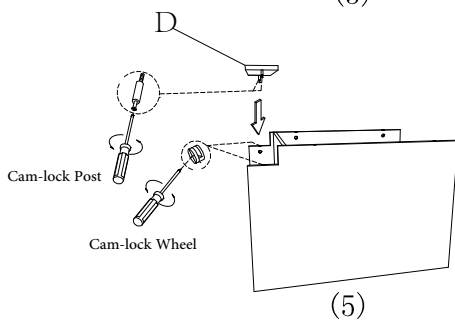
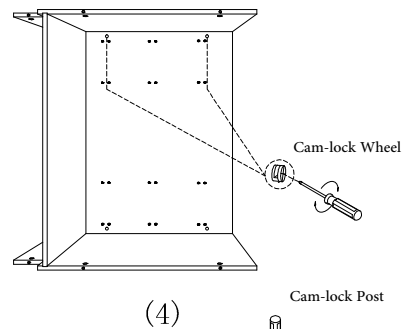
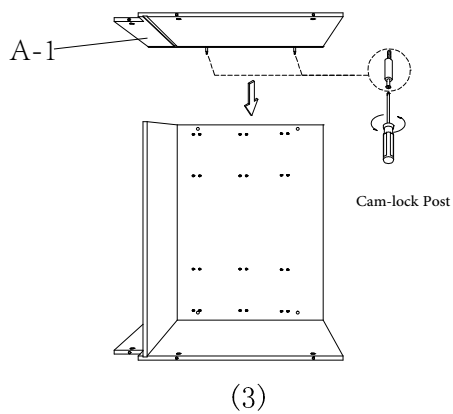
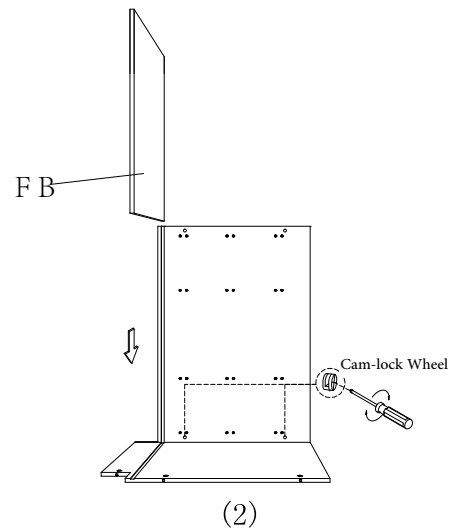
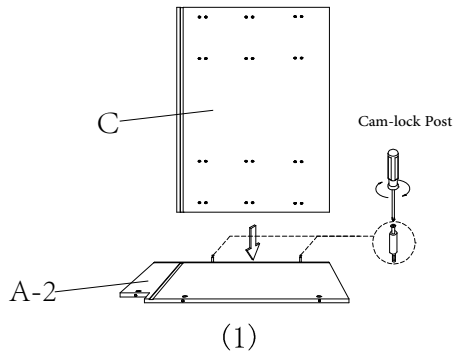


# Assembly Installation

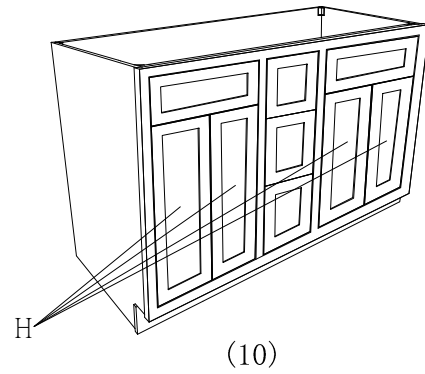
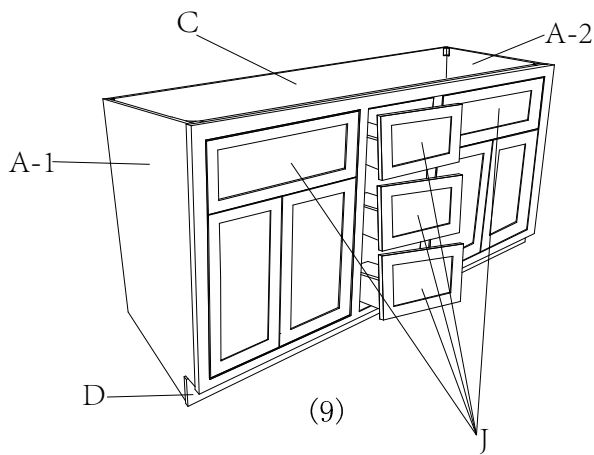
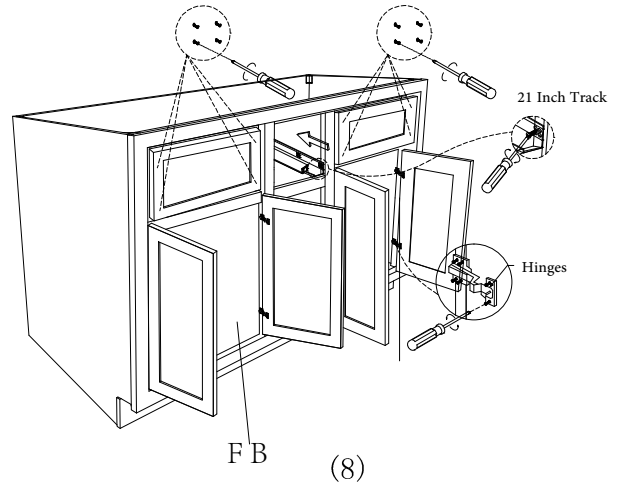
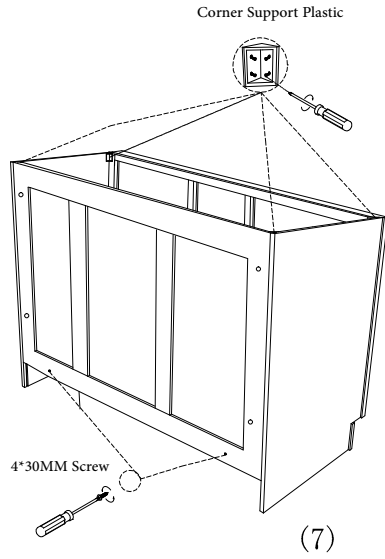
## Inset Set VCD6021

|                                                                                                  | Item                                                                              | Name                                                                              |   |                                                                                                       | Parts                                                                               | QTY            |        |
|--------------------------------------------------------------------------------------------------|-----------------------------------------------------------------------------------|-----------------------------------------------------------------------------------|---|-------------------------------------------------------------------------------------------------------|-------------------------------------------------------------------------------------|----------------|--------|
|  <p>Packing</p> |  | Tool Needed<br>Screwdriver or Power Drill                                         | 2 |  <p>Hardware Box</p> |  | Hinges         | 2      |
|                                                                                                  |  | A-1                                                                               | 1 |                                                                                                       |  | Cam-lock Wheel | 10     |
|                                                                                                  |  | A-2                                                                               | 1 |                                                                                                       |  | 4*16 MM Screw  | 32     |
|                                                                                                  |  | F B                                                                               | 1 |                                                                                                       |  | Cam-lock Post  | 10     |
|                                                                                                  |  | C                                                                                 | 1 |                    | 4*30MM Screw                                                                        | 2              |        |
|                                                                                                  |  | D                                                                                 | 1 |  <p>Track Box</p>   |  | 21 Inch Track  | 1 Pair |
|                                                                                                  |  | E                                                                                 | 1 |                                                                                                       |  | Track Bracket  | 2      |
|                                                                                                  |  | J                                                                                 | 7 |                                                                                                       |  | Track Clip     | 2      |
|                                                                                                  |                                                                                   |  | H | 2                                                                                                     |                                                                                     |                |        |



# Assembly Installation

## Inset Set VCD6021



| Parts | QTY        |
|-------|------------|
|       | J-2 1      |
|       | J-3 1      |
|       | J-1 1      |
|       | J-4 1      |
|       | Track Clip |

