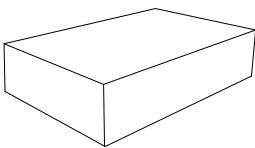

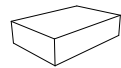

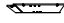
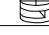




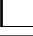





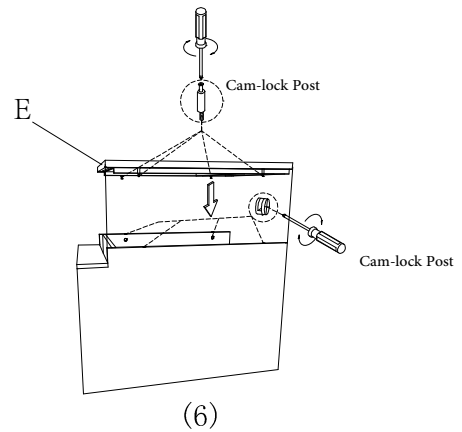
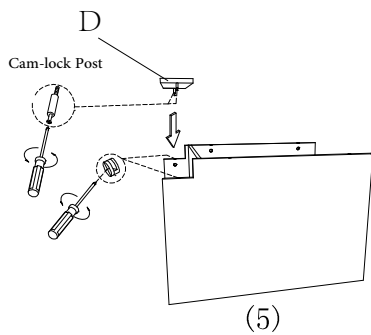
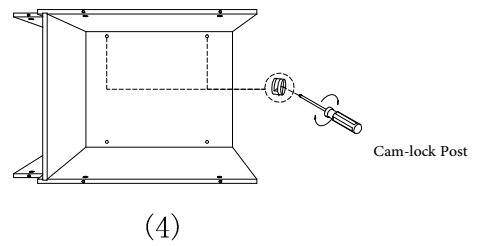
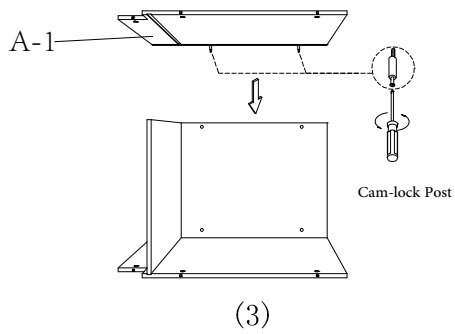
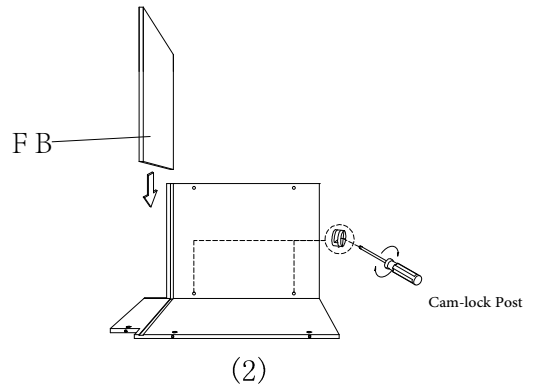
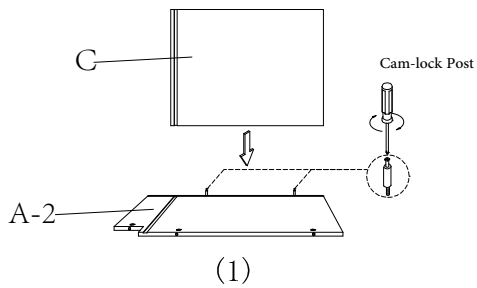


Assembly Installation Inset Set Vanity Cabinet

	Item	Name	QTY		Parts	QTY	
 <p>Packing</p>		Tool Needed Screwdriver or Power Drill	2	 <p>Hardware Box</p>		Hinges	4
		A-1	1			Cam-lock Wheel	10
		A-2	1			4*16 MM Screw	32
		F B	1			Cam-lock Post	10
		C	1			4*30MM Screw	2
		D	1				
		E	1				
		J	1				
		H	2				



Assembly Installation Inset Set Vanity Cabinet

