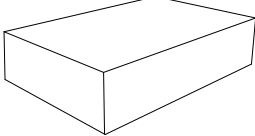



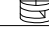



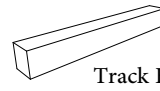



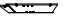







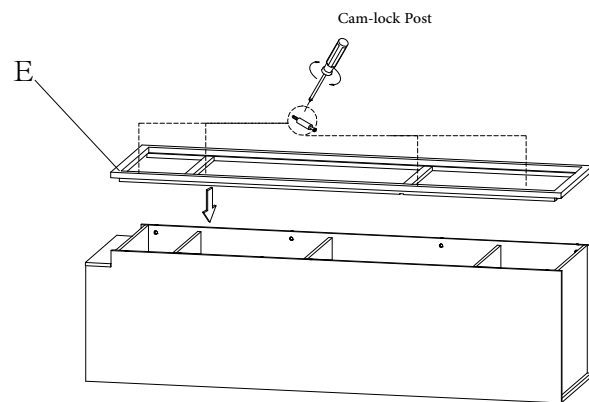
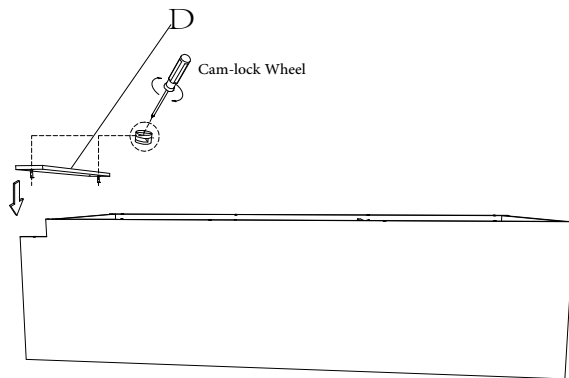
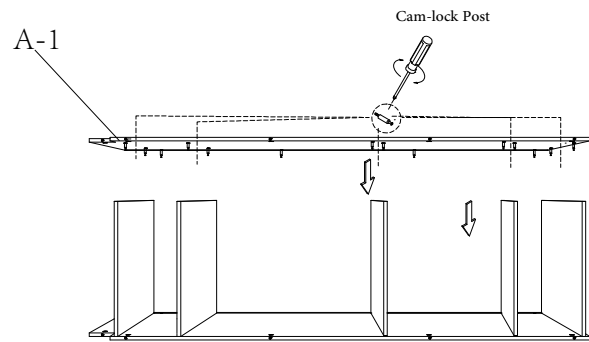
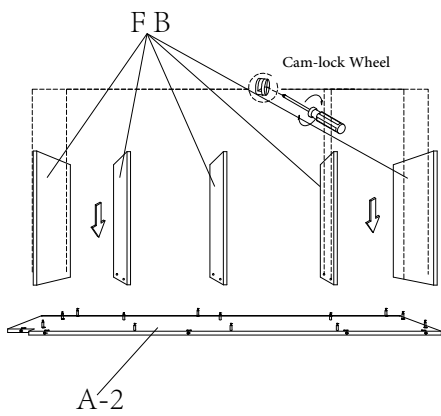


# Assembly Installation

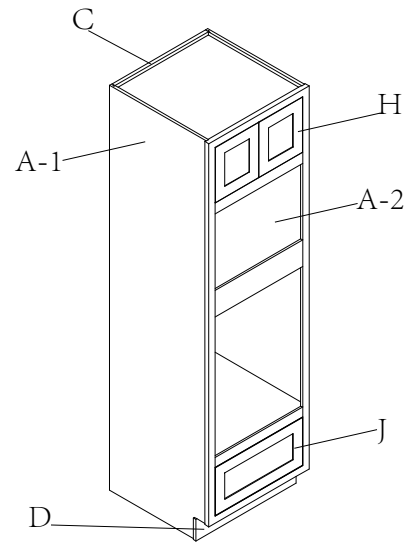
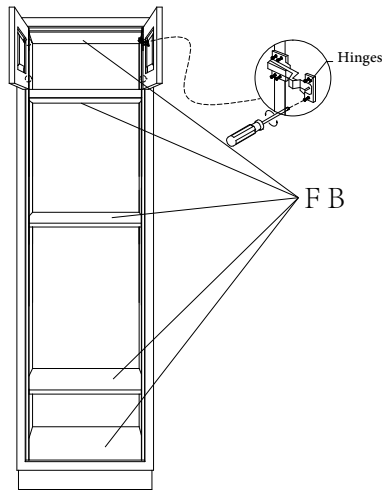
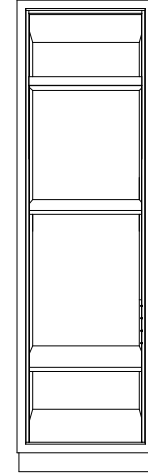
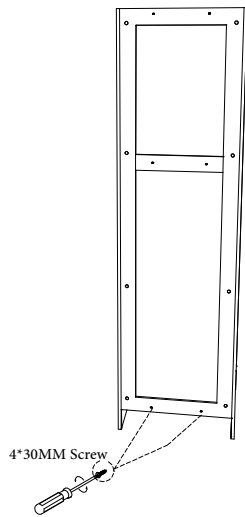
## Inset Set OC Cabient

	Item	Name	QTY				QTY	
 <p>Packing</p>		Tool Needed Screwdriver or Power Drill	2	 <p>Hardware Box</p>		Hinges	4	
		Cam-lock Wheel	10			4*16 MM Screw	32	
		Cam-lock Post	10			4*30MM Screw	2	
					 <p>Track Box</p>		21 Inch Track	1 Pair
							Track Bracket	2
							Track Clip	2
		A-1	1					
		A-2	1					
		F B	5					
		C	1					
		D	1					
		E	1					
		J	1					
		H	2					



# Assembly Installation

## Inset Set OC Cabinet



	Parts	QTY
	J-2	1
	J-3	1
	J-1	1
	J-4	1
	Track Clip	2

