

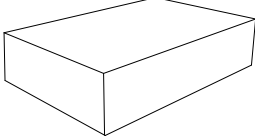
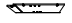






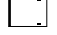

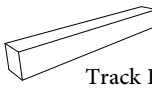






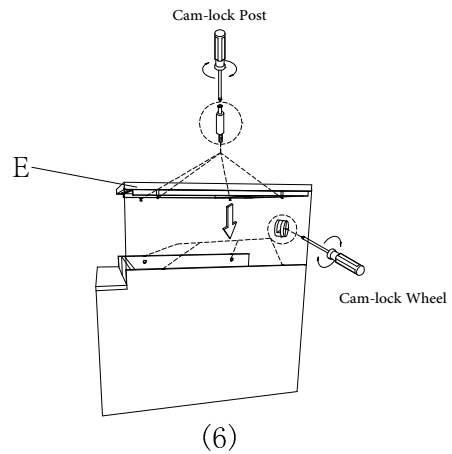
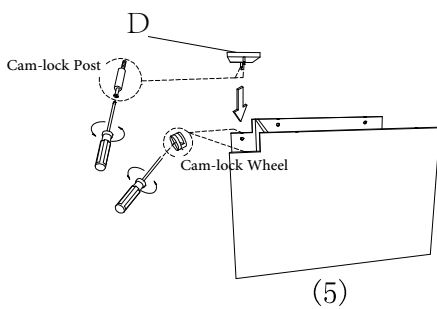
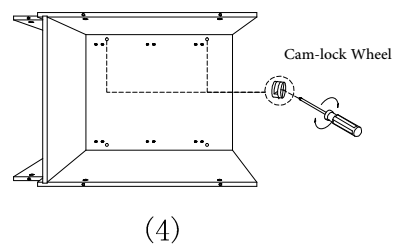
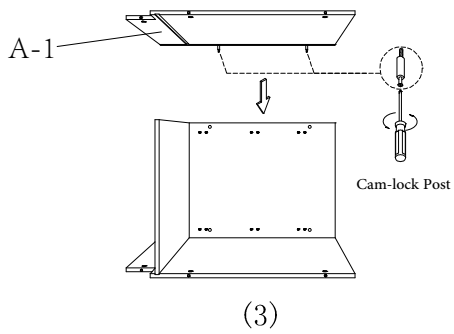
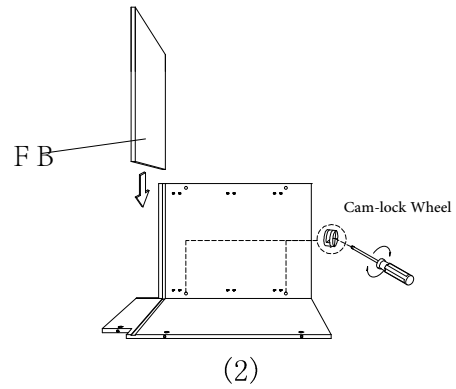
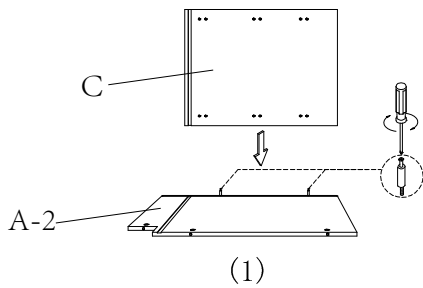


Assembly Installation

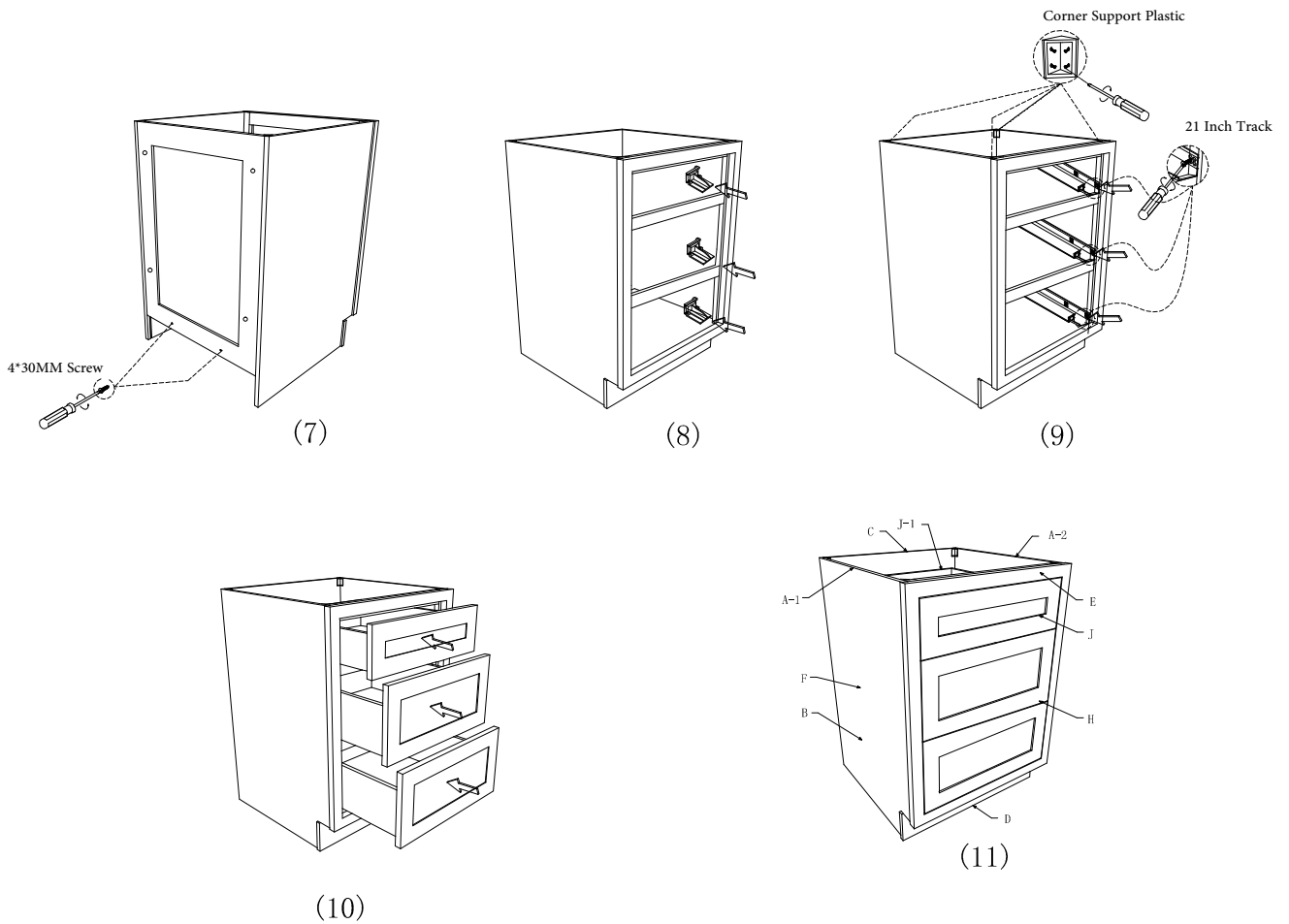
Inset Set Drawers Base Cabinet

	Item	Name	QTY		Parts		QTY
			Tool Needed Screwdriver or Power Drill		2		
 Packing		A-1	1	 Hardware Box		4*16 MM Screw	32
		A-2	1			Cam-lock Post	10
		F B	1			4*30MM Screw	2
		C	1				
		D	1	 Track Box		21 Inch Track	3 Pair
		E	1			Track Bracket	2
		J	1			Track Clip	2
		H	2				



Assembly Installation

Inset Set Drawers Base Cabinet



	Parts	QTY
	J-2	1
	J-3	1
	J-1	1
	J-4	1
	Track Clip	2

