
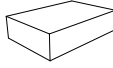

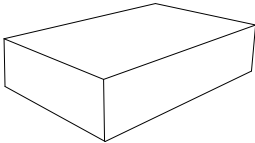
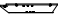
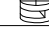










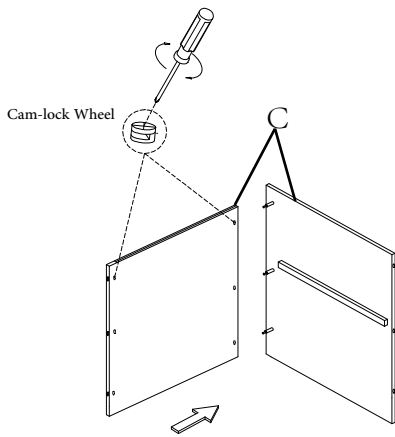


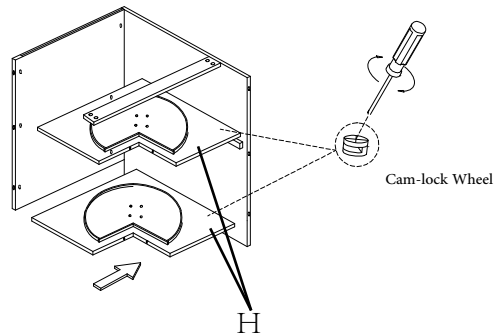
Assembly Installation

Inset BLS Cabinet

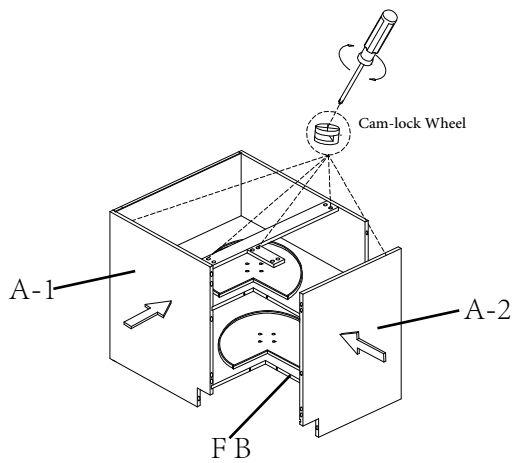
| | Item | Name | QTY | | Parts | | |
|--|---|---|-----|---|---|----------------|----|
| |  | Tool Needed Screwdriver or Power Drill | 2 |  Hardware Box |  | Hinges | 4 |
|  Packing |  | A-1 | 1 | |  | Cam-lock Wheel | 37 |
| |  | A-2 | 1 | |  | 4*16 MM Screw | 32 |
| |  | F B | 2 | |  | Cam-lock Post | 37 |
| |  | C | 2 | |  | 4*30MM Screw | 2 |
| |  | D | 2 | | | | |
| |  | E | 2 | | | | |
| |  | J | 2 | | | | |
| |  | H | 2 | | | | |



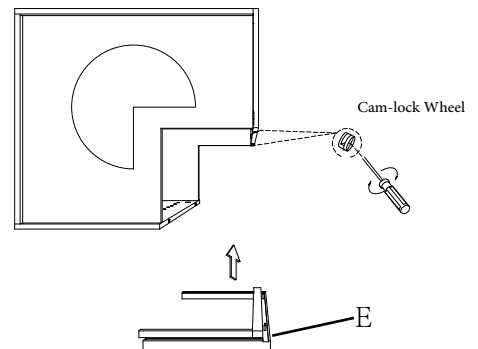
(1)



(2)



(3)



(4)

Assembly Installation

Inset BLS Cabinet

