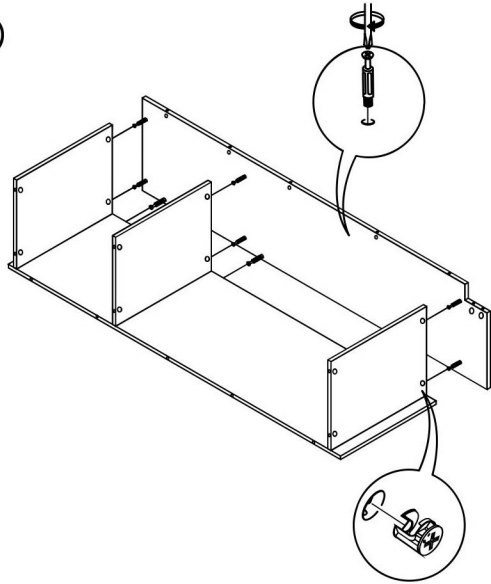


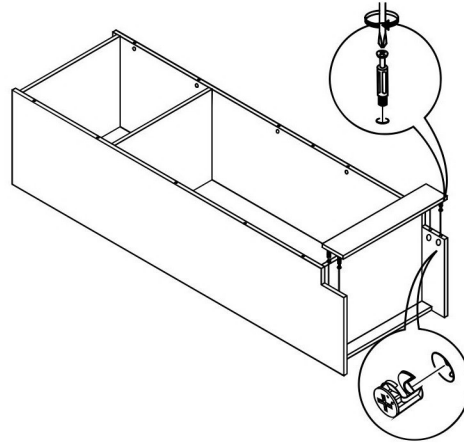
# ASSEMBLY INSTRUCTIONS

## PC1884 - PC1893

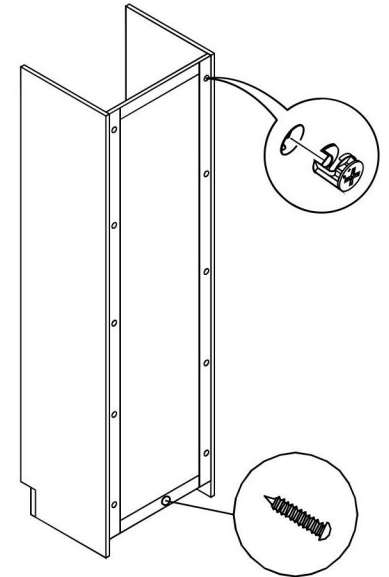
(1)



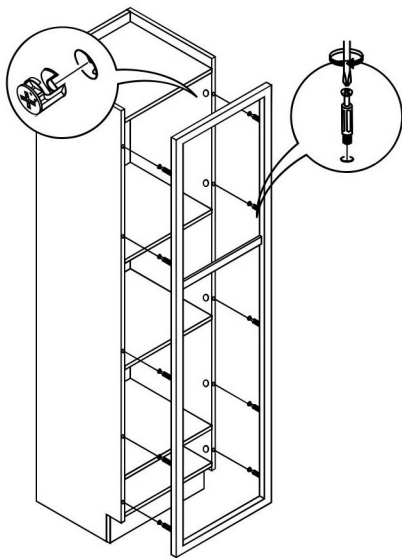
(2)



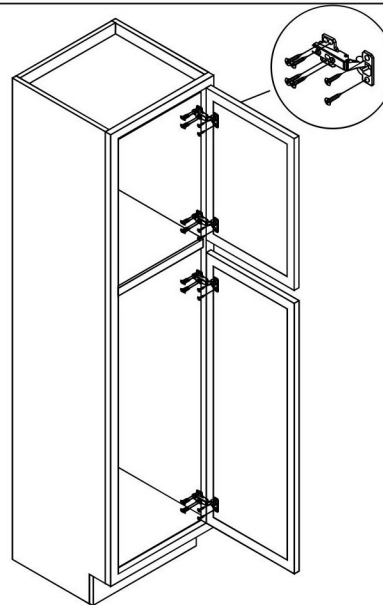
(3)



(4)



(5)



(6)

