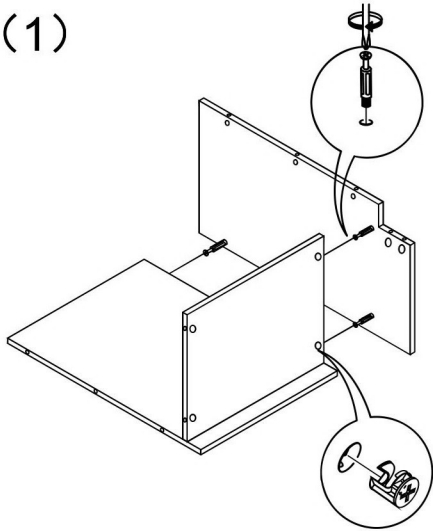


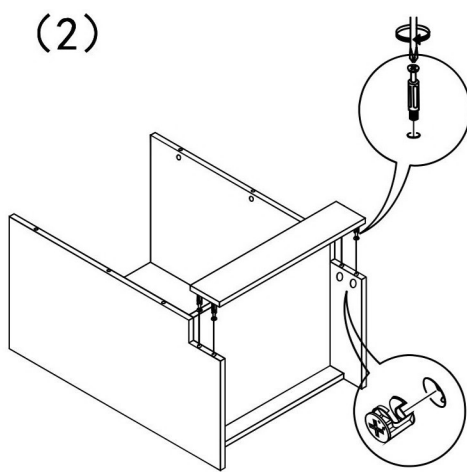
ASSEMBLY INSTRUCTIONS

DB36

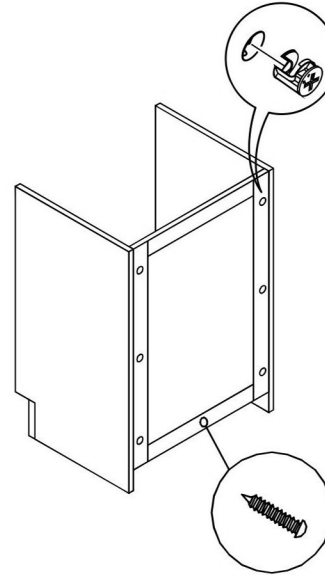
(1)



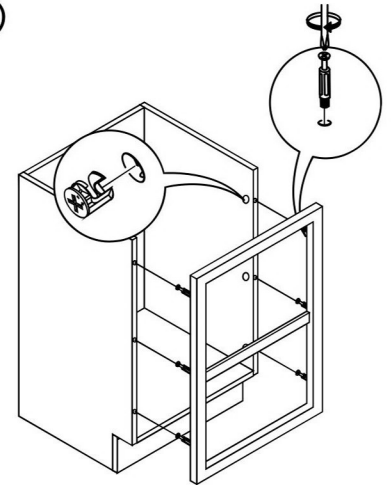
(2)



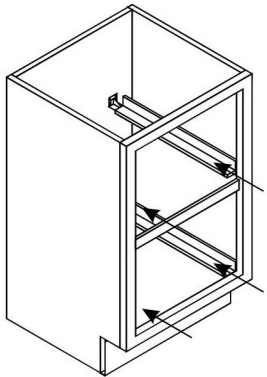
(3)



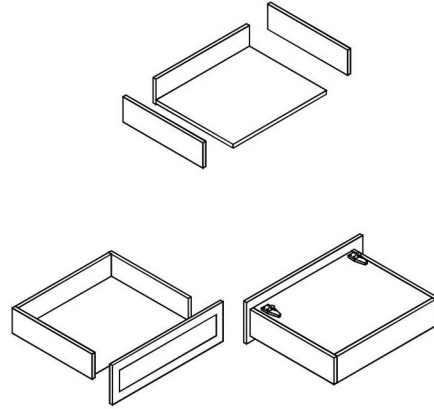
(4)



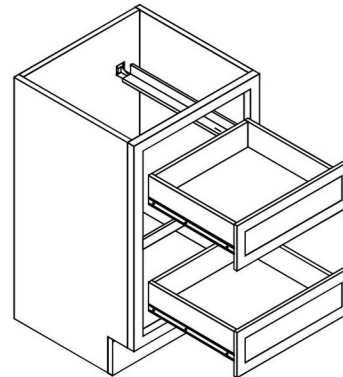
(5)



(6)



(7)



(8)

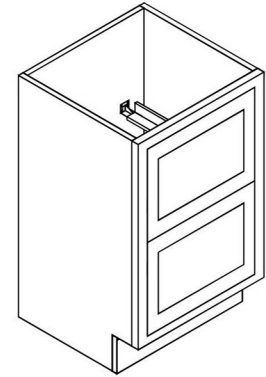

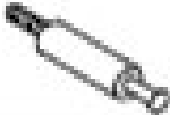


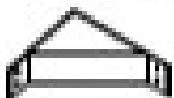

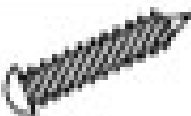
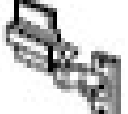

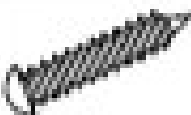


DIAGRAM	CONNECTING FITTINGS	QTY
	CAM LOCK SYSTEM	14
	CAM LOCK SYSTEM	14
	SHELF SUPPORT	4
	SLIDE RAIL	2
	CORNER BRACES	4
	CORNER BRACES SCREWS ($\phi 3*12\text{mm}$)	8
	BACK PANEL SCREWS ($\phi 3*12\text{mm}$)	1-3
	DOOR HINGE	2
	HINGE SCREWS ($\phi 4*14\text{mm}$)	4
	HINGE SCREWS ($\phi 4*16\text{mm}$)	2