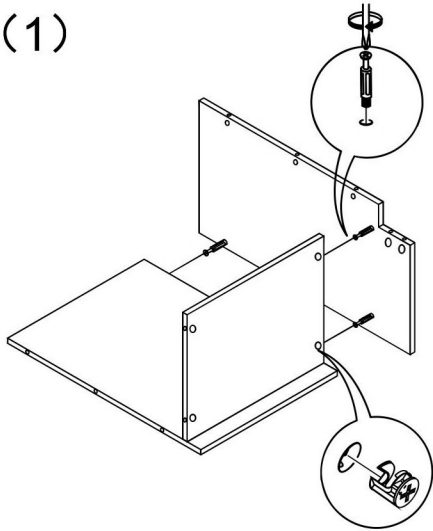


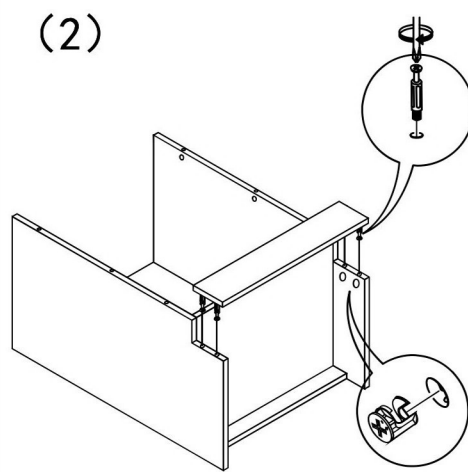
ASSEMBLY INSTRUCTIONS

DB(12-33)

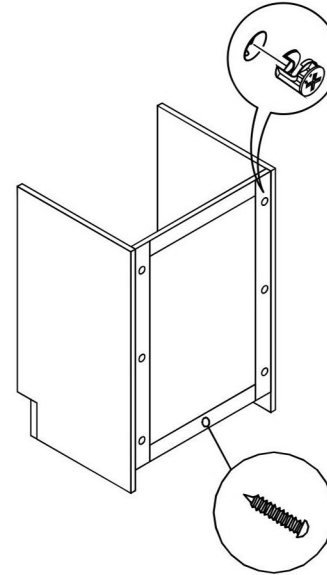
(1)



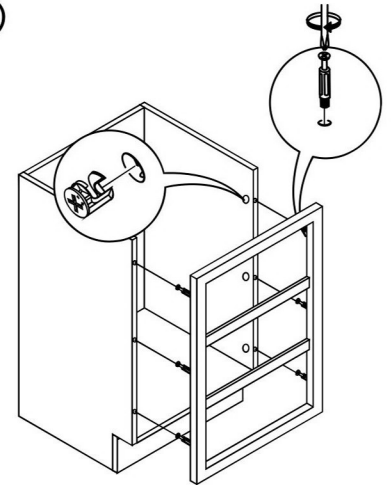
(2)



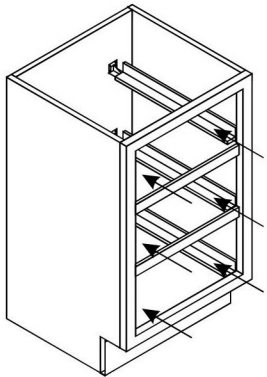
(3)



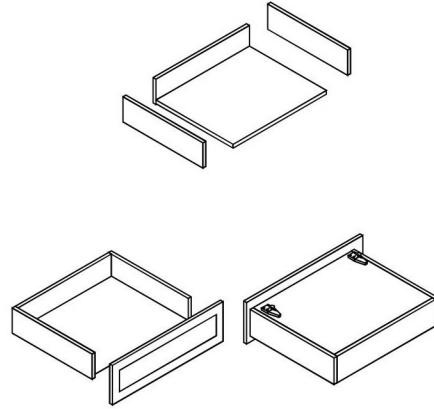
(4)



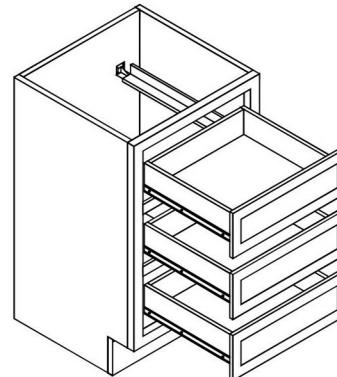
(5)



(6)



(7)



(8)

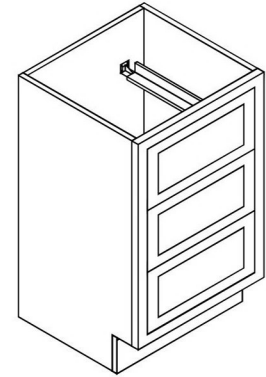





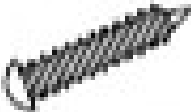


DIAGRAM	CONNECTING FITTINGS	QTY
	CAM LOCK SYSTEM	14-15
	CAM LOCK SYSTEM	14-15
	SLIDE RAIL (21")	6
	CORNER BRACES	4
	CORNER BRACES SCREWS ($\phi 3*12\text{mm}$)	8
	BACK PANEL SCREWS ($\phi 3*25\text{mm}$)	1-8