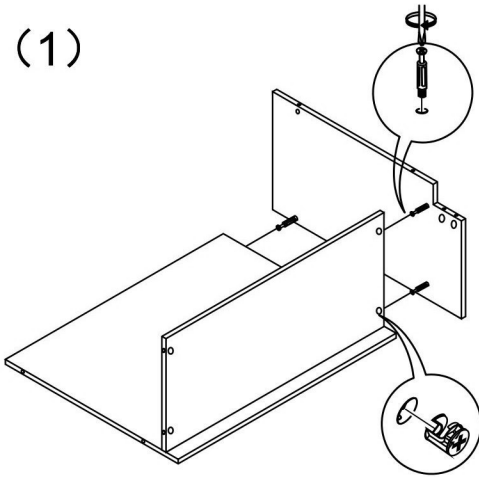


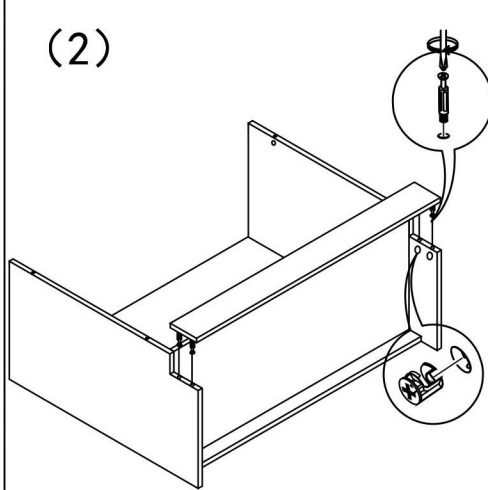
ASSEMBLY INSTRUCTIONS

BBC(36-42)

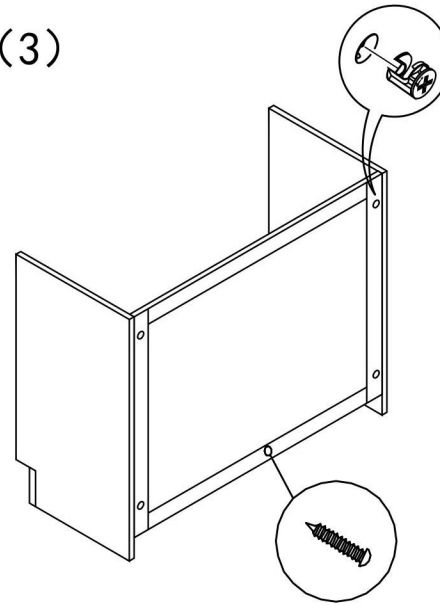
(1)



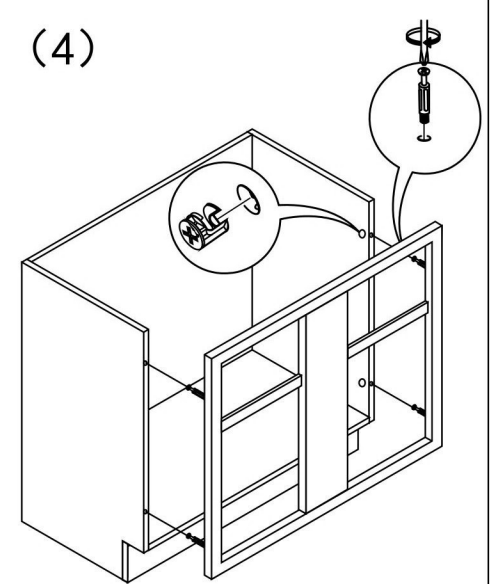
(2)



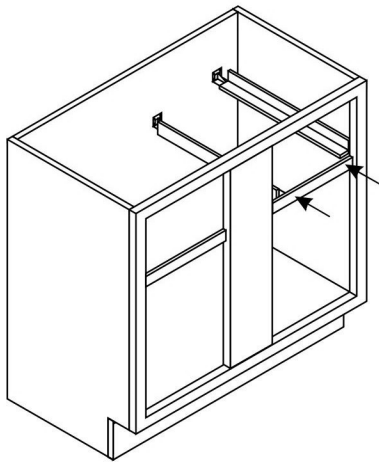
(3)



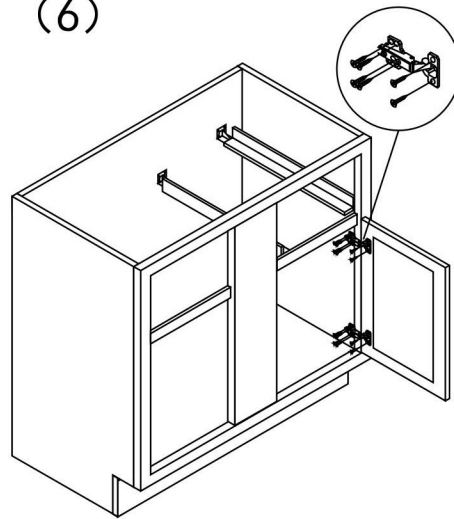
(4)



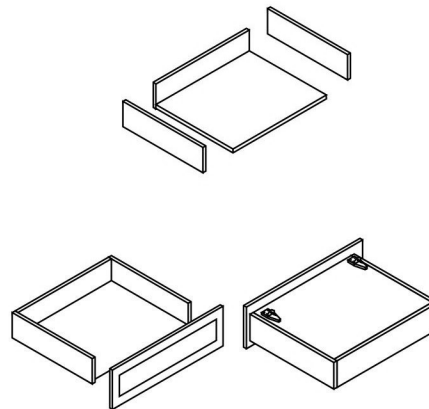
(5)



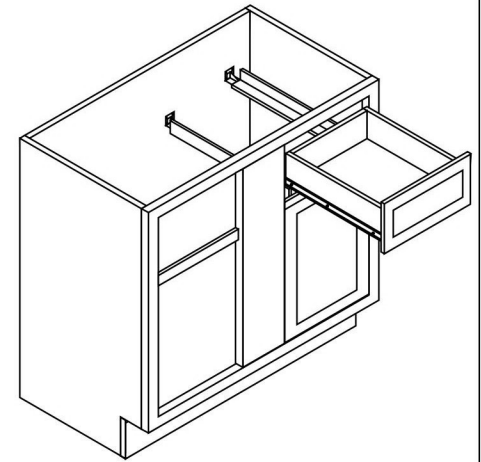
(6)





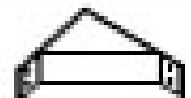

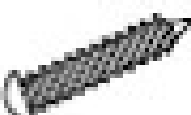





(7)



(8)



| DIAGRAM | CONNECTING FITTINGS | QTY |
|--|---|-------|
|  | CAM LOCK SYSTEM | 15-18 |
|  | CAM LOCK SYSTEM | 15-18 |
|  | SHELF SUPPORT | 4 |
|  | SLIDE RAIL | 2 |
|  | CORNER BRACES | 4 |
|  | CORNER BRACES SCREWS ($\phi 3*12\text{mm}$) | 8 |
|  | BACK PANEL SCREWS ($\phi 3*25\text{mm}$) | 4-5 |
|  | DOOR HINGE | 2 |
|  | HINGE SCREWS ($\phi 4*14\text{mm}$) | 4 |
|  | HINGE SCREWS ($\phi 4*16\text{mm}$) | 2 |